



FREE FLOAT[®] AIR TRAP

MODEL JA8

FREE FLOAT AIR TRAP WITH LARGE CAPACITY FOR AIR SERVICE

Features

Free float air trap for large capacities to automatically drain condensate and oil from compressed air systems. Recommended installations include large receiver tanks and after coolers.

1. Self-modulating free float provides continuous, smooth, low velocity condensate discharge as process loads vary.
2. Only one moving part, the free float, prevents concentrated wear and provides long maintenance-free service life.
3. Built-in screen with large surface area ensures extended trouble-free operation.
4. The valve seat is made of PTFE and other major internal parts are made of stainless steel.



Specifications

Model		JA8
Connection		Flanged
Size (mm)		50, 80, 100
Orifice No.		2, 5, 10, 16
Maximum Operating Pressure (MPaG)	PMO	0.2, 0.5, 1.0, 1.6
Maximum Differential Pressure (MPa)	ΔPMX	0.2, 0.5, 1.0, 1.6
Maximum Operating Temperature (°C)	TMO	150
Minimum Condensate Load for Tight Sealing (kg/h)		20 (Orifice No. 2, 5) 15 (Orifice No. 10, 16)
Applicable Fluid*		Air

* Do not use for toxic, flammable or otherwise hazardous fluids.

1 MPa = 10.197 kg/cm²

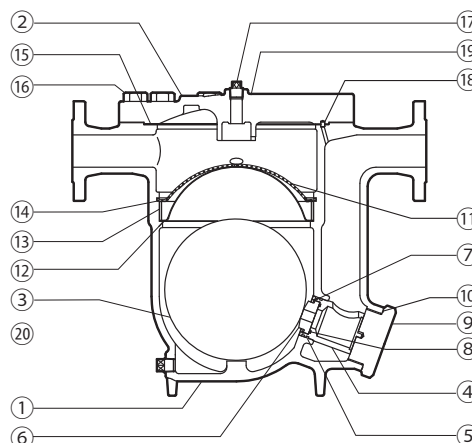
PRESSURE SHELL DESIGN CONDITIONS (**NOT** OPERATING CONDITIONS): Maximum Allowable Pressure (MPaG) PMA: 1.6
Maximum Allowable Temperature (°C) TMA: 220

CAUTION To avoid abnormal operation, accidents or serious injury, DO NOT use this product outside of the specification range. Local regulations may restrict the use of this product to below the conditions quoted.

No.	Description	Material	JIS	ASTM/AISI*
①	Body	Cast Iron	FC250	A126 Cl.B
②	Cover	Cast Iron	FC250	A126 Cl.B
③ ^F	Float	Stainless Steel	SUS316L	AISI316L
④ ^R	Valve Seat Holder	Stainless Steel	SUS420F	AISI420F
⑤ ^{MR}	Valve Seat Holder O-Ring	Fluorine Rubber	FPM	D2000HK
⑥ ^R	Valve Seat (Orifice)	Fluorine Resin	PTFE	PTFE
⑦ ^R	Snap Ring	Stainless Steel	SUS304	AISI304
⑧ ^{MR}	Valve Seat O-Ring	Fluorine Rubber	FPM	D2000HK
⑨	Valve Seat Holder Plug	Cast Iron	FCV400	A842 Gr.400
⑩ ^{MR}	Holder Plug Gasket	Fluorine Resin	PTFE	PTFE
⑪ ^R	Screen	Carbon Steel	S45C	AISI1045
⑫	Screen Holder	Stainless Steel	SUS304	AISI304
⑬	Screen Holder Retainer	Stainless Steel	SUS304	AISI304
⑭	Snap Ring	Stainless Steel	SUS304	AISI304
⑮ ^{MR}	Cover Gasket	Fluorine Resin	PTFE	PTFE
⑯	Cover Bolt	Carbon Steel	S45C	AISI1045
⑰	Balancing Line Plug	Carbon Steel	S10C	AISI1010
⑱	Alignment Pin	Steel	SUJ2	A485
⑲	Nameplate	Stainless Steel	SUS304	AISI304
⑳	Drain Plug	Carbon Steel	SS400	A6

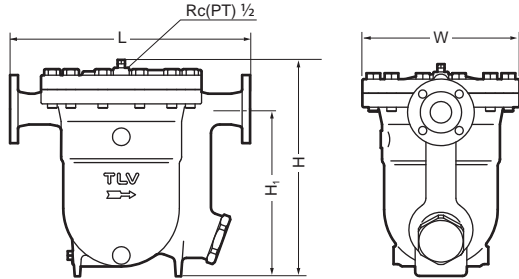
* Equivalent

Replacement kits available: (M) maintenance parts, (R) repair parts, (F) float



Dimensions

• **JA8** Flanged



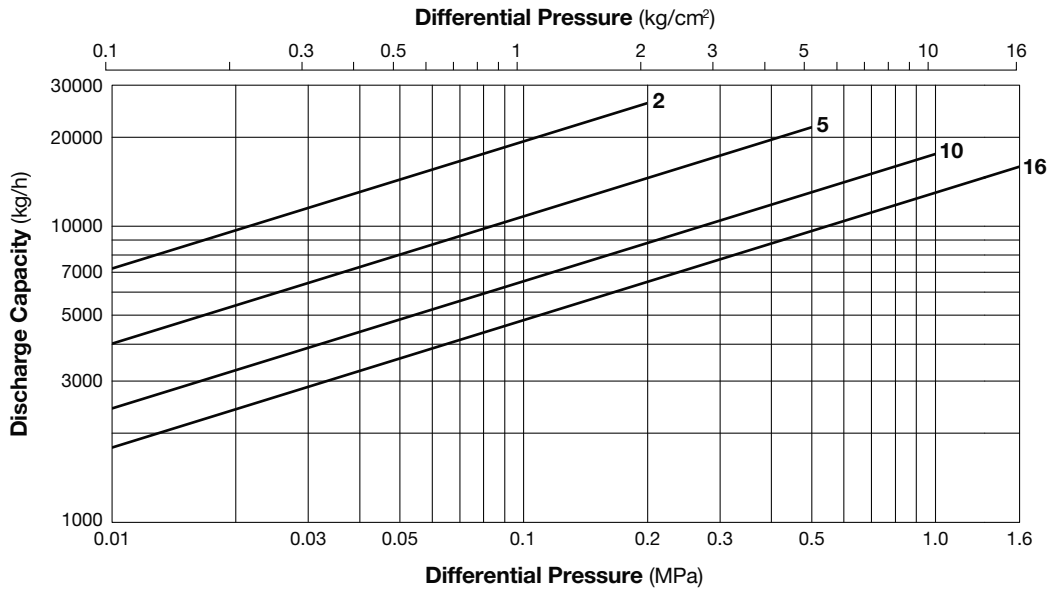
JA8 Flanged (mm)

Size	L				H	H ₁	φ W	Weight* (kg)
	ASME Class							
	125FF	(150RF)	250RF	(300RF)				
50	542	550	555	556	488	381	365	98
80	546	554	563	564	503	380		105
100	550	550	566	566	513			109

() No ASME standard exists for cast iron; machined to fit steel flanges
 Class 125 FF can connect to 150 RF, 250 RF can connect to 300 RF
 Other standards available, but length and weight may vary
 * Weight is for Class 250 RF/300 RF

NOTE:
 A pressure-balancing line must be connected to the air system from the balancing port at the top of the trap to a place above any possible condensate accumulation in the system.

Discharge Capacity



1. Line numbers within the graph refer to orifice numbers.
2. Differential pressure is the difference between the inlet and outlet pressure of the trap.
3. The chart is applicable to condensate below 100 °C
4. The discharge capacity is for a liquid with specific gravity of 1.
5. Recommended safety factor: at least 1.5.

CAUTION DO NOT use this product under conditions that exceed maximum differential pressure, as condensate backup will occur!

Manufacturer
TLV CO., LTD.
 Kakogawa, Japan
is approved by LRQA Ltd. to ISO 9001/14001

ISO 9001
 ISO 14001