

Features

Station for collecting condensate from steam users and returning it to the boiler house.

1. Low NPSH pumps due to low inlet pressure
2. Bypass level indicator with magnetic switches for level indication and control
3. Bellows sealed shut-off globe valve with throttling disc for adjusting the operating point of the pump
4. Bimetall thermometer and pressure gauge for visual operating temperature and pressure monitoring
5. Redundant execution of the pumps
6. Available options:
 - Reed level transmitter (4 - 20 mA)
 - Pump control unit
 - Pump with delivery head of 50 m
 - Thermal insulation package



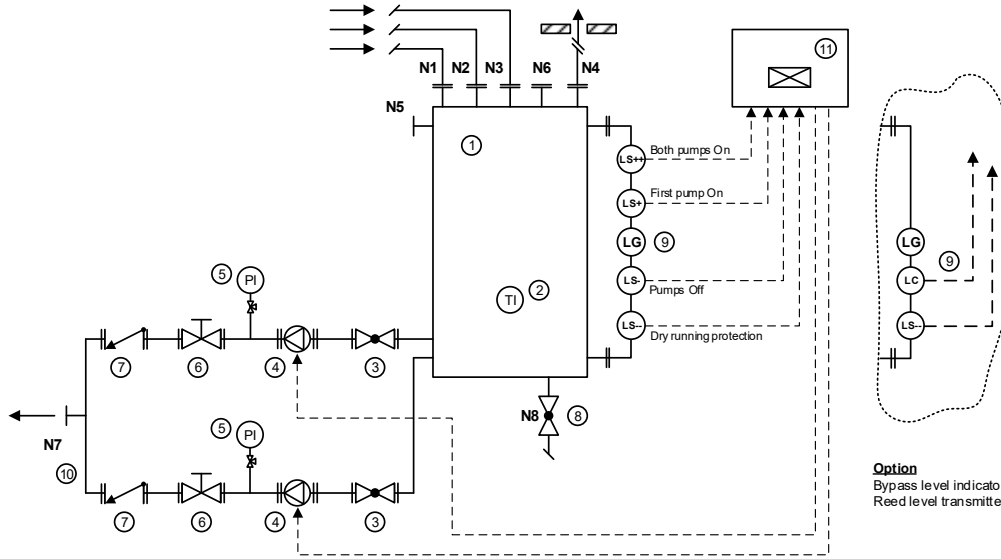
Specifications

Model	EPS 500	EPS 1000	EPS 1500	EPS 2000	EPS 3000
Tank volume [l]	500	1.000	1.500	2.000	3.000
Condensate amount [kg/h]	2.500	5.000	7.500	10.000	15.000
Max. flash steam amount [kg/h]	430	730	1.150	1.620	1.950
Motor rated power [kW] / Motor rated current [A]	0,55 / 1,3	1,1 / 2,3	1,1 / 2,3	2,2 / 4,3	2,2 / 4,3
Pump flow rate [m ³ /h]	3,3	6,5	9,8	13,0	19,5
Pump delivery head app. [m]	25				
Max. operating temperature [°C]	100				
Operating pressure [bar g]	0,0 (atmospheric)				
Fluid group	2				
Technical regulations	PED 2014/68/EU Art. 4 Abs.3				
Installation location	Indoors (dry installation; ambient temperature max. 35 °C)				
Power supply [V / Hz]	400 / 50				
Alarm functions	Dry running protection, High level alarm				
Dimensions approx.: [mm]					
- Length (L)	1.640	1.910	2.570	2.750	3.100
- Width (W)	800	800	800	1.260	1.420
- Height (H)	1.325	1.825	1.830	1.835	1.835
Weight approx. [kg]	280	360	450	550	800

PRESSURE SHELL DESIGN CONDITIONS (**NOT** OPERATING CONDITIONS): Maximum Allowable Pressure (bar g) PMA: 0,0
Maximum Allowable Temperature (°C) TMA: 100



To avoid abnormal operation, accidents or serious injury, DO NOT use this product outside of the specification range. Local regulations may restrict the use of this product to below the conditions quoted.



Option
Bypass level indicator with
Reed level transmitter

Connection and size (DN)	Inlet (100% Condensate amount)	N1	DN125	DN150	DN200	DN250	DN300
	Inlet (50% Condensate amount)	N2	DN80	DN125	DN150	DN150	DN200
	Inlet (50% Condensate amount)	N3	DN80	DN125	DN150	DN150	DN200
	Flash steam	N4	DN150	DN200	DN250	DN300	DN350
	Overflow	N5	DN40	DN65	DN80	DN100	DN100
	Manhole [mm]	N6	DN150	DN150	400 x 600	400 x 600	400 x 600
	Pressure line: - Station with one pump - Station with two pumps	N7	DN25 DN32	DN32 DN40	DN40 DN50	DN50 DN65	DN50 DN65
	Drainage	N8	G1"	G1"	G1"	G1"	G1"
Flanges according to DIN EN 1092-1			PN16				

Pos.	Components	Material	DIN
1.	Condensate tank	Stainless Steel	1.4301
2.	Bimetallic thermometer	Stainless Steel	-
3.	Ball valve	Carbon Steel	1.0460
4.	Electric pump - Pump shroud, cover, impeller - Pump casing	Stainless Steel Cast Iron	1.4301 0.6025
5.	Manometer set	Stainless Steel	-
6.	Globe valve with throttling disc	Ductile Cast Iron	0.7043
7.	Check valve	Stainless Steel	1.4308
8.	Ball valve	Stainless Steel	1.4308
9.	Bypass level indicator	Stainless Steel	1.4401/1.4404
10.	Manifold (just with two pumps)	Edelstahl	1.4301
11.	Pump control unit (Option)	-	-

TLV EURO ENGINEERING GmbH

Daimler-Benz-Strasse 16-18
74915 Waibstadt, Germany
Tel: 07263-9150-0
E-mail: info@tlv-euro.de